

ILLUSTRATED PARTS LIST

MODEL NUMBER M5053CMDE

PRODUCT NUMBER 961 41 01-56

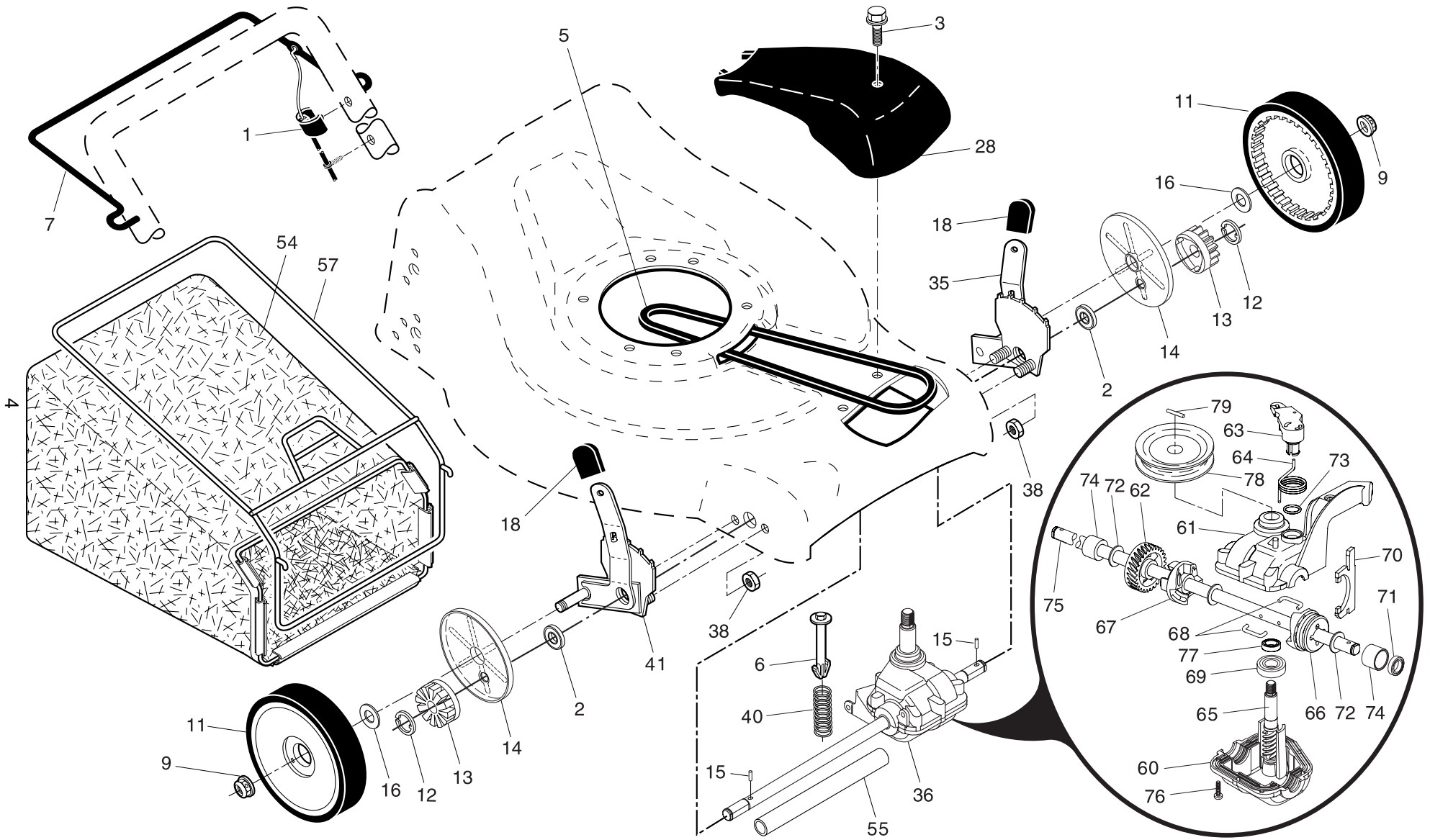
MFG. ID. NUMBER 96141015600

ROTARY LAWN MOWER - - MODEL NUMBER M5053CMDE (96141015600) PRODUCT NUMBER 961 41 01-56

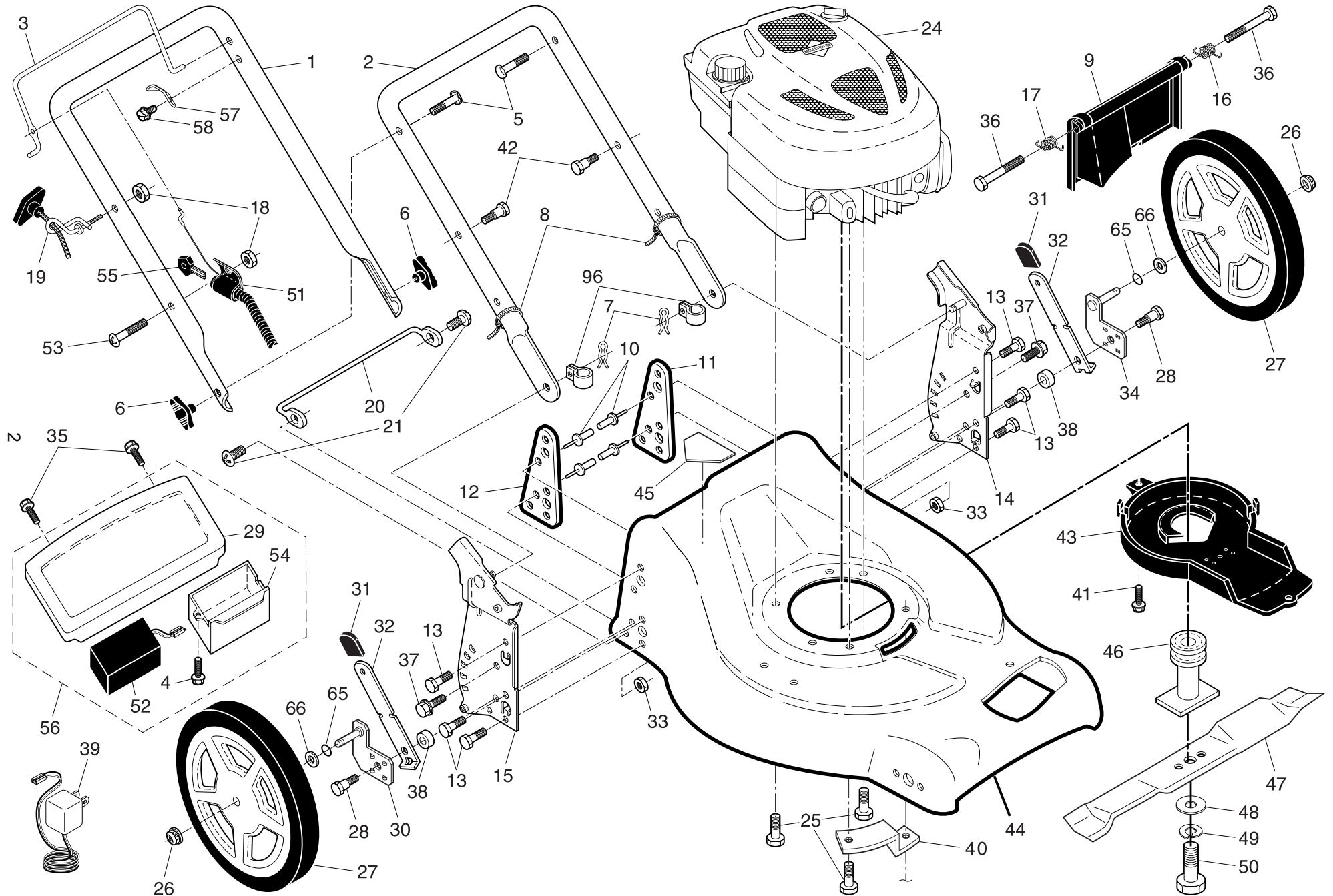
KEY NO.	PART NO.	DESCRIPTION	KEY NO.	PART NO.	DESCRIPTION
1	532 19 84-59	Upper Handle	34	532 40 25-72	Axle Arm Assembly, Rear, LH
2	532 19 63-49	Lower Handle	35	532 14 18-41	Screw
3	532 19 84-64	Control Bar	36	532 18 41-93	Bolt
4	817 41 13-08	Screw	38	819 11 22-06	Washer
5	532 19 15-74	Handle Bolt	39	532 19 24-36	Charger, Battery
6	532 19 19-38	Handle Knob	40	532 19 09-39	Mounting Bracket, Debris Shield
7	532 05 17-93	Hairpin Cotter	41	532 19 23-25	Screw
8	532 06 64-26	Wire Tie	42	532 17 55-51	Bolt, Shoulder
9	532 40 69-85	Rear Door Assembly	43	532 40 58-45	Debris Shield
10	532 12 84-15	Pop Rivet	44	532 40 93-64	Kit, Lawn Mower Housing (Includes Key Numbers 10, 11, 12 and 45)
11	532 41 05-40	Support Bracket, LH	45	532 18 21-66	Danger Decal
12	532 41 05-42	Support Bracket, RH	46	532 40 46-33	Blade Adapter / Pulley
13	817 06 04-10	Screw 1/4-20 x 5/8	47	532 19 93-77	Blade, 21"
14	532 18 25-43	Handle Bracket Assembly, LH	48	532 85 10-74	Hardened Washer
15	532 18 25-45	Handle Bracket Assembly, RH	49	532 85 02-63	Helical Washer 3/8-24 x 1-3/8 Grade 8
16	532 40 54-17	Spring, Rear Door, LH	50	532 85 10-84	Hex Head Machine Screw 3/8-24 x 1-3/8 Grade 8
17	532 40 54-18	Spring, Rear Door, RH	51	532 18 96-86	Control, Combi-Key
18	532 13 20-04	Keps Locknut 1/4-20	52	532 18 95-89	Battery
19	532 19 47-88	Rope Guide	53	532 18 61-59	Screw
20	532 41 05-36	Foot Guard	54	532 18 62-37	Box, Battery
21	532 05 45-83	Hinge Screw 1/4-20 x 1-1/4	55	532 18 03-31	Key
24	- - -	Engine, Briggs & Stratton, Model Number 12F805 (order parts from engine manufacturer)	56	532 19 12-52	Trimplate, Battery & Battery Box Assembly
25	532 15 04-06	Hex Head Thread Rolling Screw 3/8-16 x 1-1/8	57	532 12 51-62	Bracket, Upstop
26	532 14 52-12	Hex Flange Nut	58	532 75 06-34	Screw, Threaded, Rolled #10-24 x 1/2
27	532 40 29-35	Wheel & Tire Assembly	65	532 08 83-48	Washer, Flat
28	532 16 08-28	Shoulder Bolt 5/16-18 x .33	66	532 19 74-80	O-Ring
29	532 18 61-53	Trimplate Assembly	96	532 19 79-91	Clip, Cable
30	532 40 25-71	Axle Arm Assembly, Rear, RH	--	532 18 21-34	Warning Decal (not shown)
31	532 08 78-77	Selector Knob	--	532 40 99-55	Operator's Manual, European
32	532 19 01-57	Selector Spring	--	532 40 99-56	Operator's Manual, Scandinavian
33	873 80 05-00	Nut, Hex	--	532 40 99-57	Operator's Manual, Baltic

NOTE: All component dimensions given in U.S. inches. 1 inch = 25.4 mm. **IMPORTANT:** Use only Original Equipment Manufacturer (O.E.M.) replacement parts. Failure to do so could be hazardous, damage your lawn mower and void your warranty.

ROTARY LAWN MOWER - - MODEL NUMBER M5053CMDE (96141015600) PRODUCT NUMBER 961 41 01-56



ROTARY LAWN MOWER - - MODEL NUMBER M5053CMDE (96141015600) PRODUCT NUMBER 961 41 01-56



ROTARY LAWN MOWER - - MODEL NUMBER M5053CMDE (96141015600) PRODUCT NUMBER 961 41 01-56

KEY NO.	PART NO.	DESCRIPTION	KEY NO.	PART NO.	DESCRIPTION
1	532 19 46-53	Drive Control Assembly (Includes Cable)	55	532 17 57-39	Driveshaft Cover
2	532 19 10-39	Bearing, Wheel Adjuster	57	532 40 18-02	Frame, Grassbag
3	532 17 52-62	Pan Head Tapping Screw #10-24 x 2-3/4	60	532 18 34-97	* Case, Lower
5	532 17 54-36	V-Belt	61	532 18 34-98	* Case, Upper
6	532 15 04-95	Spring Retainer	62	532 18 34-99	Gear, 27 Teeth
7	532 19 84-53	Bar, Drive Control	63	532 18 35-00	Lever, Clutch
9	532 08 39-23	Locknut, Hex	64	532 18 35-01	Spring, Return
11	532 40 29-36	Wheel & Tire Assembly	65	532 18 35-02	Shaft, Input
12	812 00 00-58	E-Ring	66	532 18 35-03	Dog, Movable
13	532 40 38-49	Pinion	67	532 18 35-04	Dog, Fixed
14	532 18 94-03	Dust Cover	68	532 18 35-05	Wire, Formed
15	532 19 10-17	Pawl, Drive	69	532 18 35-06	Bearing, Ball
16	532 06 77-25	Washer 1/2 x 1-1/2 x .134	70	532 18 35-07	Fork, Shift
18	532 08 78-77	Selector Knob	71	532 18 35-08	Seal, Output Shaft
28	532 18 14-68	Drive Cover	72	532 18 35-09	Washer
35	532 40 90-97	Kit, Wheel Adjuster, LH (Includes Knob and Bearing)	73	532 18 35-10	Seal, Case
36	532 19 92-05	Gear Case Assembly, Complete	74	532 18 35-11	Bushing
38	873 80 04-00	Locknut, Hex 1/4-20	75	532 19 66-13	Shaft, Output
40	532 13 70-90	Spring	76	532 18 35-13	Screw
41	532 40 90-98	Kit, Wheel Adjuster, RH (Includes Knob and Bearing)	77	532 18 35-14	Seal, Input Shaft
54	532 40 19-05	Grassbag Assembly	78	532 19 98-52	Drive Pulley
			79	532 19 94-19	Pin, Retaining

* Use Dow Corning #709 to reseal Gear Case Halves.

NOTE: All component dimensions given in U.S. inches. 1 inch = 25.4 mm. **IMPORTANT:** Use only Original Equipment Manufacturer (O.E.M.) replacement parts. Failure to do so could be hazardous, damage your lawn mower and void your warranty.